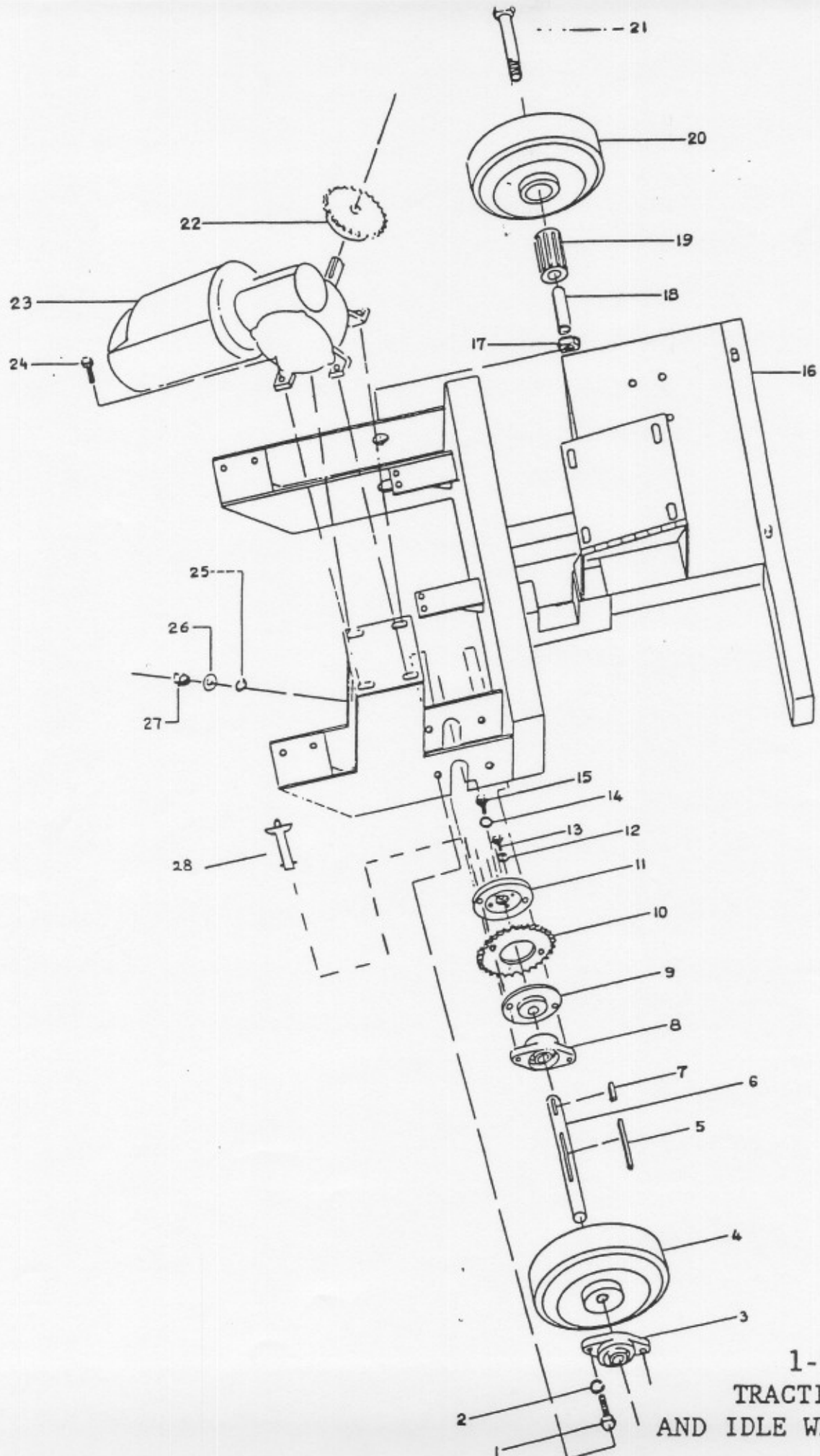


# BLASTRAC MODEL 1-9DES CONTROL PANEL COVER LAYOUT

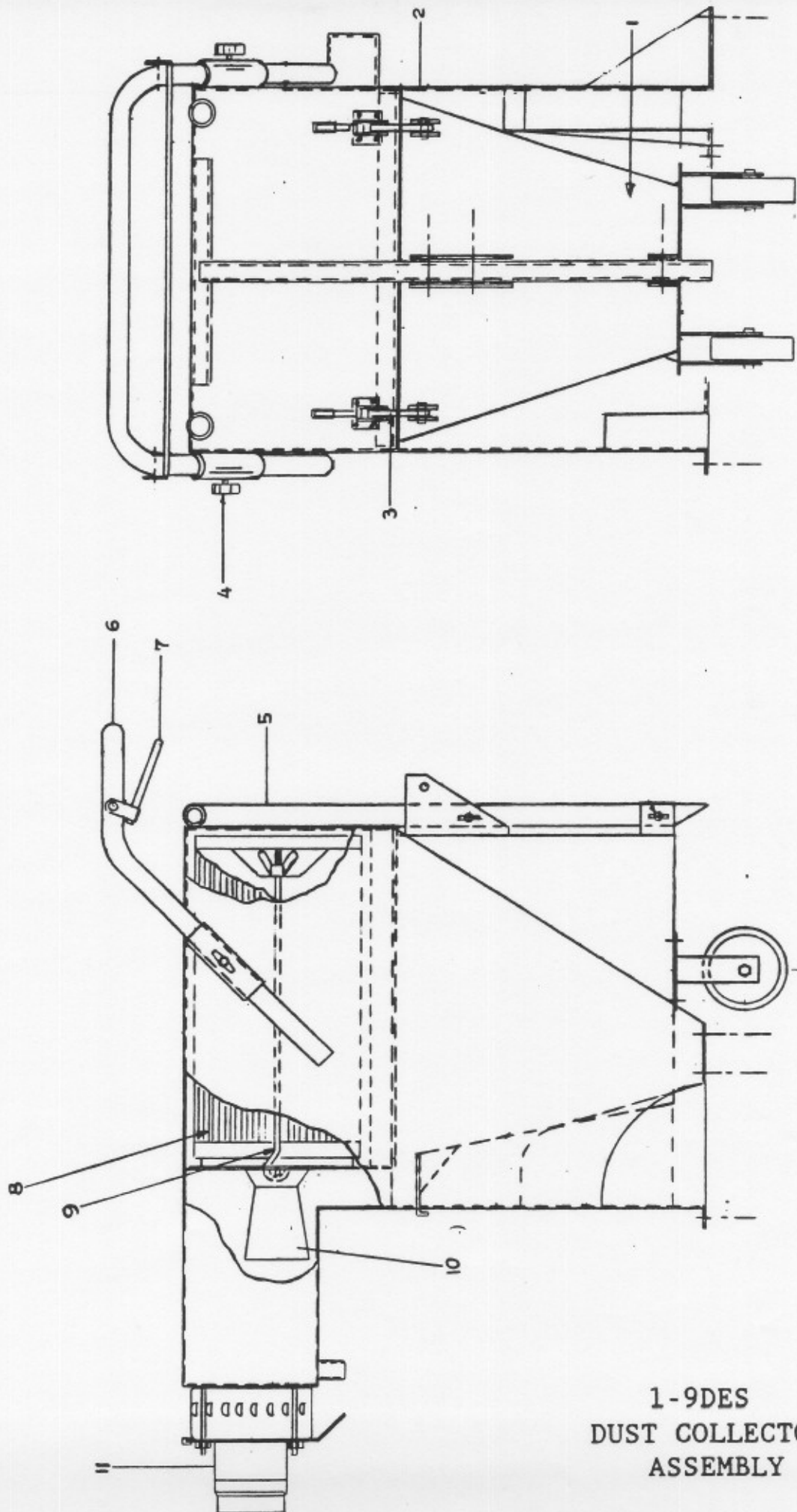


1-9DES  
 TRACTION DRIVE  
 AND IDLE WHEEL ASSEMBLY

TRACTION DRIVE AND IDLE WHEEL ASSEMBLY 1-9DES

<u>ITEM NO.</u>	<u>QUANTITY</u>	<u>PART NO.</u>	<u>DWG NO.</u>	<u>DESCRIPTION</u>
1	4	500460		5/16-18 x 1.25 Hex Head Screw
2	4	424665		5/16 Lock Washer
3 & 8	2	205571		3/4" Bearing
4	1	678956	89B454	Drive Wheel
5	1	501907	78D689	Key 3/16 x 3
6	1	678185	89B261	Drive Shaft
7	1	501902	78D698	Key 3/16 x 1
9	1	477629	80B256	Hub
10	1	477631	80B258	Sprocket
11	1	477630	80B257	Retainer
12	4	500953		1/4 Lock Washer
13	4	500174		1/4-20 x 3/4 Hex Head Screw
14	1	500114		5/16 Lock Washer
15	1	500458		5/16-18 x 3/4 Hex Head Screw
16	1	677337	89D145	Main Frame
17	1	452471		Flex Nut 3/4-10
18	1			Sleeve Bushing
19	1			Bearing
20	1	674901		Idle Wheel
21	1	501173		3/4-10 x 4.25 Hex Head Screw
22	1	675468		18 Teeth Sprocket
23	1	674900		Gear Motor
24	4	500455		1/4-20 x 1.25 Hex Head Screw
25	4	500953		1/4 Lock Washer
26	4	492470		1/4 Flat Washer
27	4	494024		1/4-20 Hex Head Nut
28	1	478198		Quick Release pin

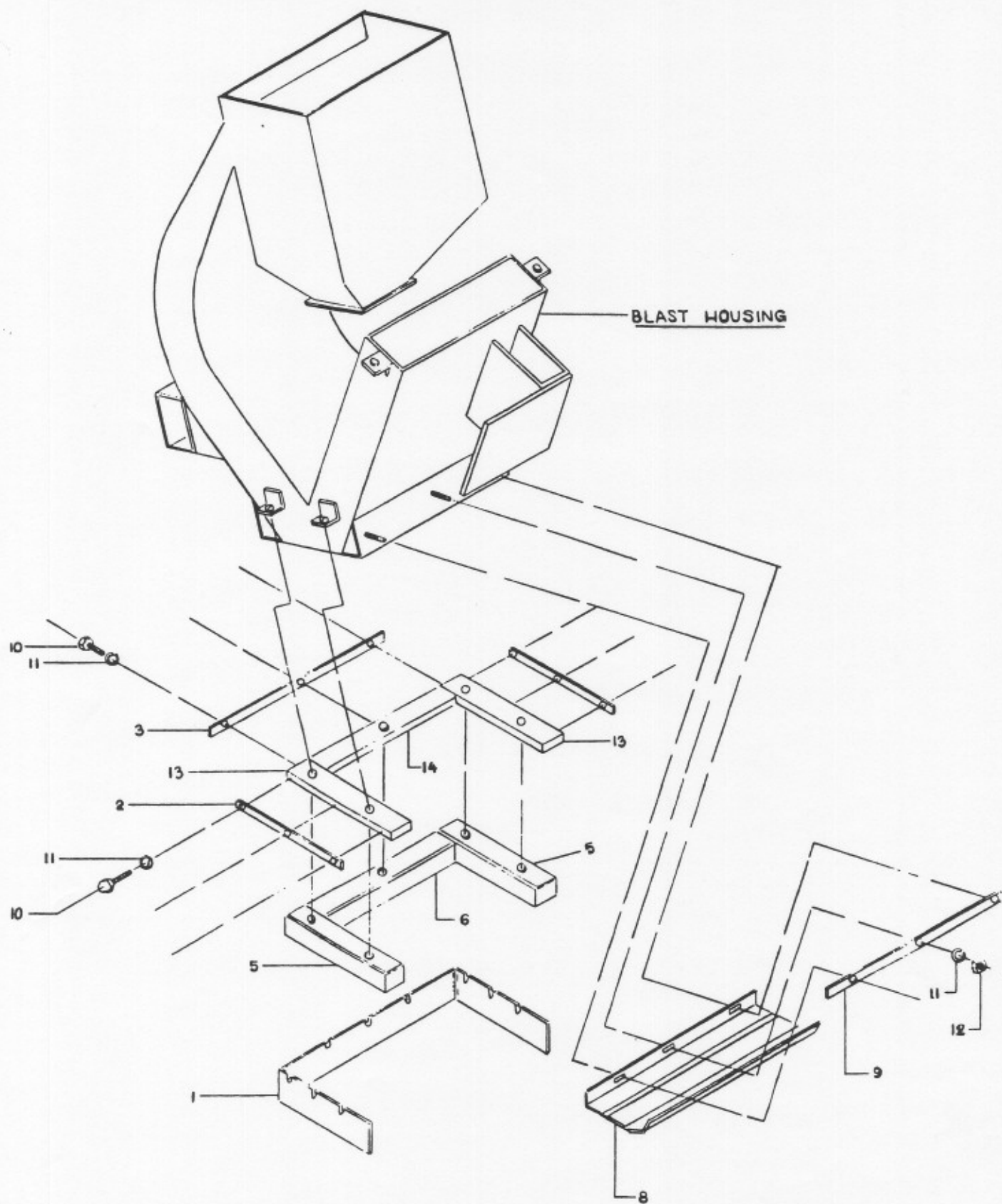
\*\*Remove to free wheel



1-9DES  
DUST COLLECTOR  
ASSEMBLY

DUST COLLECTOR ASSEMBLY 1-9DES

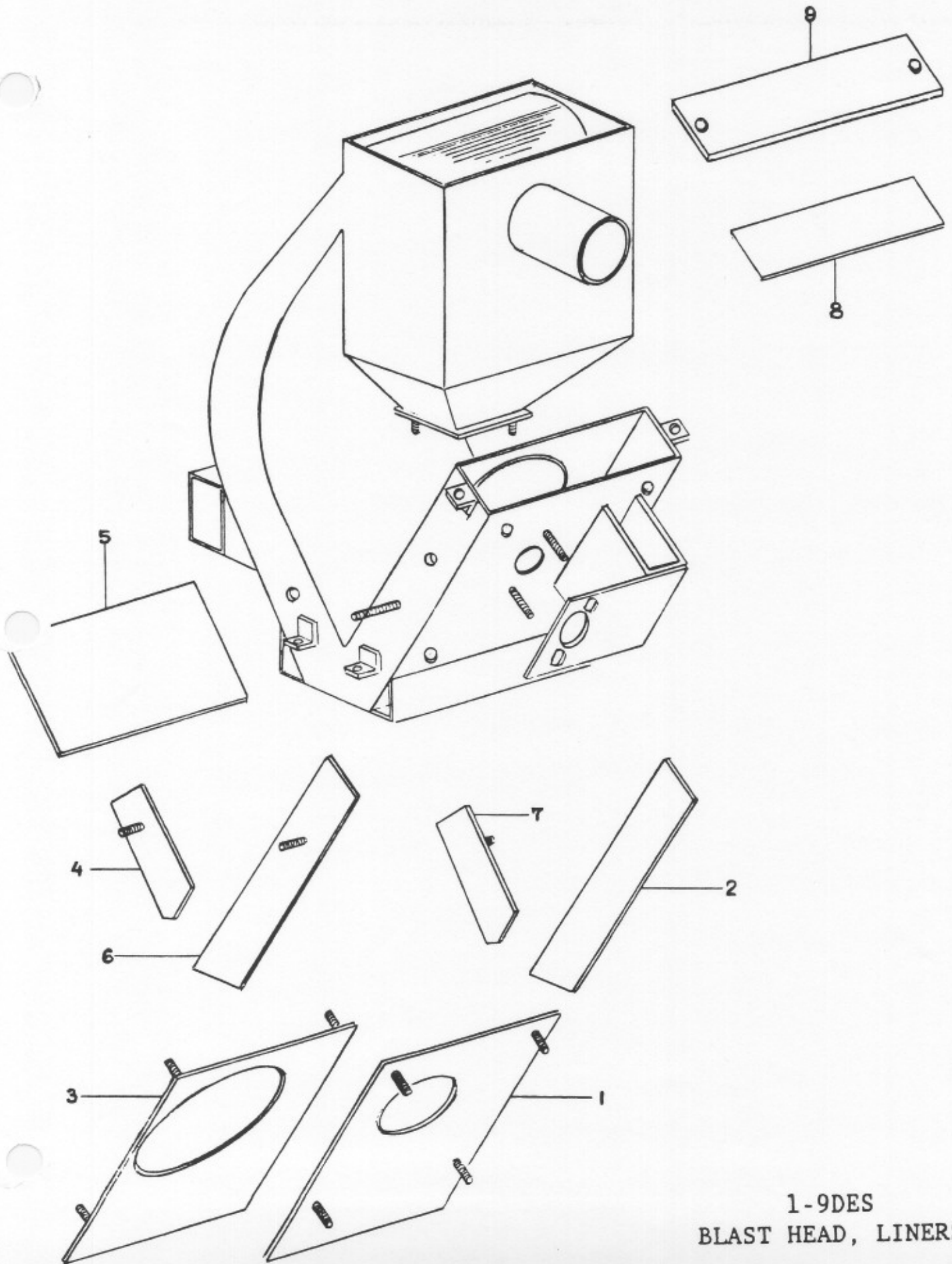
<u>ITEM NO.</u>	<u>QUANTITY</u>	<u>PART NO.</u>	<u>DWG NO.</u>	<u>DESCRIPTION</u>
1	1	678154	89C204	Dust Bin
2	1	676108	88D328	Bag House
3	2	483551		Clamp/Toggle
4	4	679563		Knob
5	1	678585	89C259	Dust Bin Handle
6	1	678112	89C229	Steering Handle
7	1	678580	89C258	Lever
8	2	493206		Filter/Element
9	2	498499		Hanger Rod
10	2	674904		Venturi
11	2	678590		Blower



1-9DES  
MAGNET AND SEAL  
ASSEMBLY

## MAGNET &amp; SEAL ASSEMBLY 1-9DES

<u>ITEM NO.</u>	<u>QUANTITY</u>	<u>PART NO.</u>	<u>DWG NO.</u>	<u>DESCRIPTION</u>
1	1	676206	88B179	Skirt
2	2	676048	90B45	Skirt Retainer/Side
3	1	676763	89B5	Skirt Retainer/Front
5	2	676572	88B240	Magnet/Side
6	1	676594	88B244	Magnet/Front
8	1	676061	88C175	Skid Seal
10	9	681353		M6 x 25 Hex Head Cap Screw
11	14	493953		M6 Lock Washer
12	3	M67067/8		M6 x 1 mm Nut



1-9DES  
BLAST HEAD, LINERS



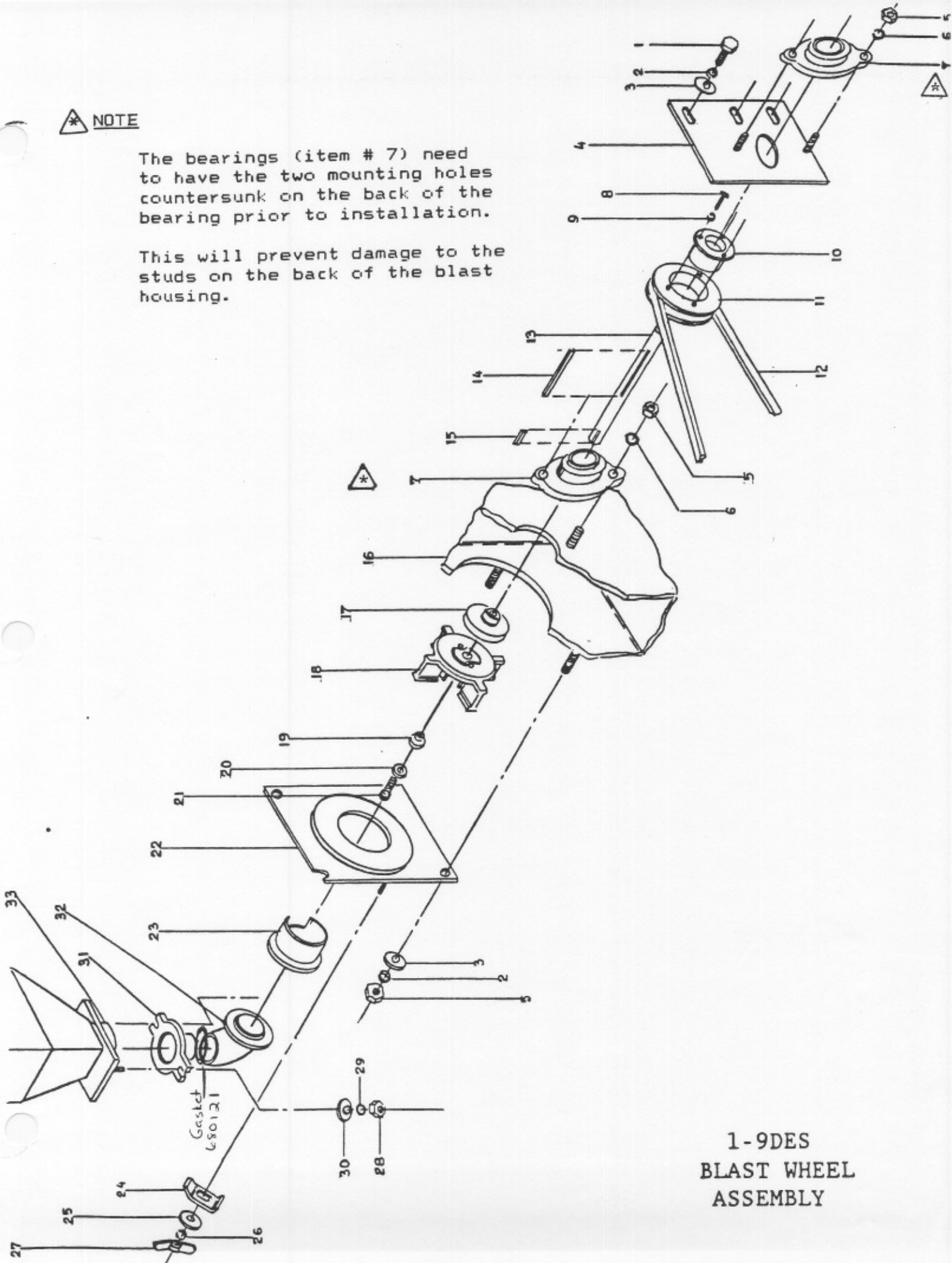
BLAST HEAD, LINERS 1-9DES

<u>ITEM NO.</u>	<u>QUANTITY</u>	<u>PART NO.</u>	<u>DWG NO.</u>	<u>DESCRIPTION</u>
1	1	676491	88C251	Liner #1/Back Liner
2	1	676382	88C223	Liner #2/Right Side Liner
3	1	676492	88C253	Liner #3/Front Liner
4	1	676446	88B228	Liner #4/Left Rebound Side Liner
5	1	676431	90C63	Liner #5/Front Rebound Liner
6	1	675455	88C81	Liner #6/Left Side Liner
7	1	676571	88B239	Liner #7/Right Rebound Side Liner
8	1	676935	90B44	Top Liner
9	1	675936	88C163	Housing Cover
	1	680050		Rubber GASKet

\* NOTE

The bearings (item # 7) need to have the two mounting holes countersunk on the back of the bearing prior to installation.

This will prevent damage to the studs on the back of the blast housing.



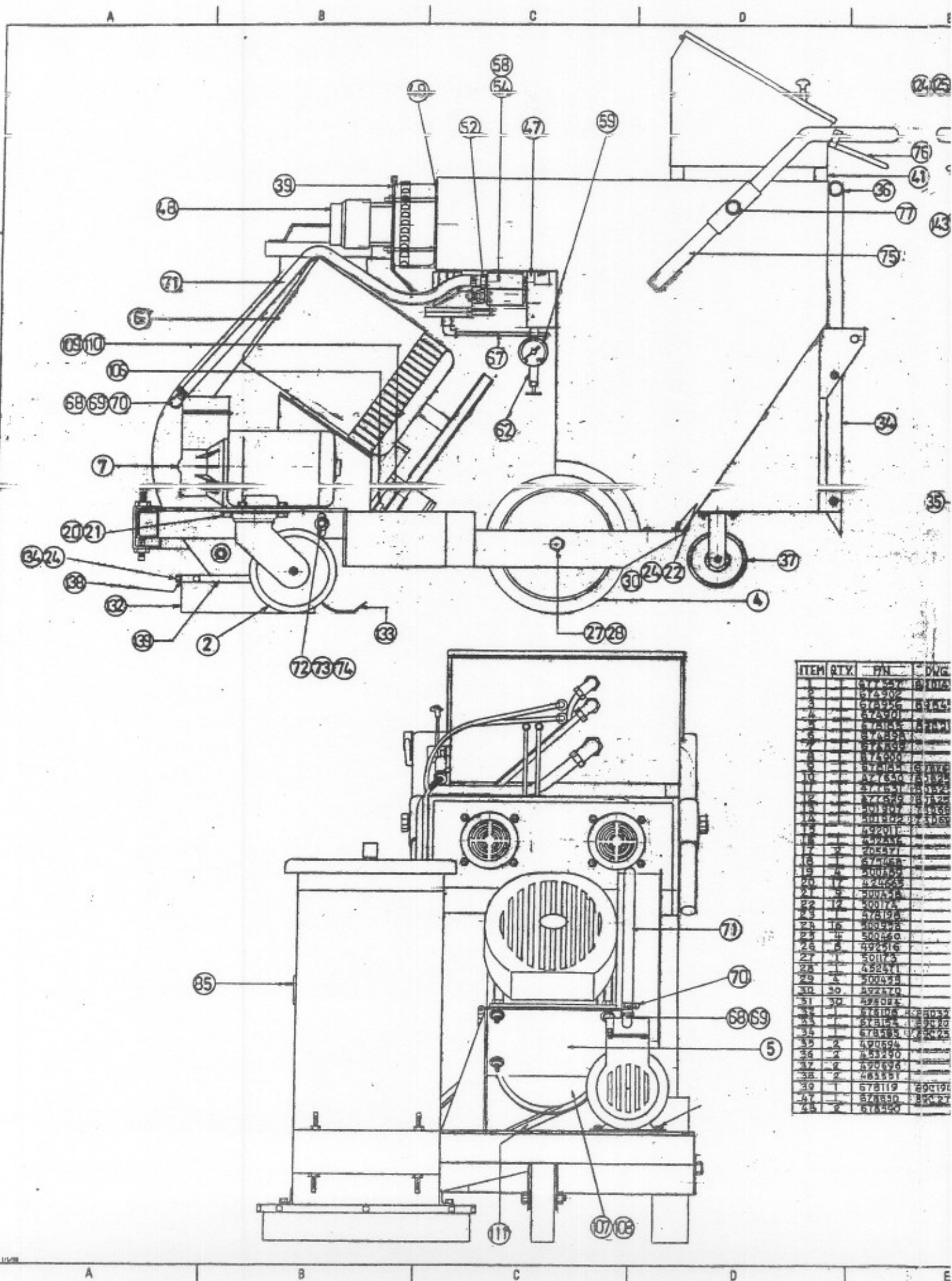
1-9DES  
BLAST WHEEL  
ASSEMBLY

## BLAST WHEEL ASSEMBLY 1-9DES

<u>ITEM NO.</u>	<u>QUANTITY</u>	<u>PART NO.</u>	<u>DWG NO.</u>	<u>DESCRIPTION</u>
1	3	500767		3/8-16 X 1 Hex Head Screw
* 2 & 6	11	500115		3/8 Lock Washer
3	7	500104		3/8 Flat Washer
4	1	681853		Bearing Bracket
5	8	500060		3/8-16 Hex Head Nut
7	2	400243		Bearing 7/8" Bore
8	3			#10-20 Hex Head Screw
9	3			#10 Lock Washer
10	1	679576		Bushing QD 7/8 Bore
11	1	6795750		Sheave/ 3V 2.80PD 1 Gr
12	2	6807830		Belt/ 3VX425
13	1	495850	84B153	Shaft ( Blast Wheel)
14	1	501907	78D689	Key 3/16" x 3"
15	1	501902	78D698	Key 3/16" x 1"
16	1	678817	89D514	Blast Housing
17	1	490946	84B152	Hub
* 18	1	459556	77D663	Wheel 6" dia.
* 19	1	490089	82A608	Adapter/ Wheel
20	1	483947		Spherical Washer/ Wheel
* 21	1	500465		3/8-16 x 1 1/4 Soc Head Cap Scr
22	1	676383	88C224	Centering Plate
* 23	1	676512	88C260	Control Cage
24	2	676928	89B20	Retaining Clip
25	2	492470		1/4 Flat Washer
26	2	500953		1/4 Lock Washer
27	2	501426		1/4-20 Wing Nut
28	2	500059		5/16-18 Nut
29	2	500114		5/16 Lock Washer
30	2	500103		5/16 Flat Washer
31	1	680485	90B0245	Feed Spout Adaptor
32	1	674828	88B054	Feed Spout
33	1	497957	90B089	Abrasive Valve Assy.

\* When ordering replacement Blast Wheel, use Wheel Kit P/N 6799920.

Wheel Kit includes:	Wheel 6"	4595560
	Adapter/ Wheel Bolt	4900890
	Control Cage	6765120
	3/8" Lockwasher	5001150
	3/8" x 1-1/4" Cap Soc Scrw	5004650



ITEM	QTY.	P/N	DWG.
1	1	674302	81112
2	1	674302	81112
3	1	674302	81112
4	1	674301	81112
5	1	674301	81112
6	1	674301	81112
7	1	674301	81112
8	1	674301	81112
9	1	674301	81112
10	1	674301	81112
11	1	674301	81112
12	1	674301	81112
13	1	674301	81112
14	1	674301	81112
15	1	674301	81112
16	1	674301	81112
17	1	674301	81112
18	1	674301	81112
19	1	674301	81112
20	1	674301	81112
21	1	674301	81112
22	1	674301	81112
23	1	674301	81112
24	1	674301	81112
25	1	674301	81112
26	1	674301	81112
27	1	674301	81112
28	1	674301	81112
29	1	674301	81112
30	1	674301	81112
31	1	674301	81112
32	1	674301	81112
33	1	674301	81112
34	1	674301	81112
35	1	674301	81112
36	1	674301	81112
37	1	674301	81112
38	1	674301	81112
39	1	674301	81112
40	1	674301	81112
41	1	674301	81112
42	1	674301	81112
43	1	674301	81112
44	1	674301	81112
45	1	674301	81112
46	1	674301	81112
47	1	674301	81112
48	1	674301	81112
49	1	674301	81112
50	1	674301	81112
51	1	674301	81112
52	1	674301	81112
53	1	674301	81112
54	1	674301	81112
55	1	674301	81112
56	1	674301	81112
57	1	674301	81112
58	1	674301	81112
59	1	674301	81112
60	1	674301	81112
61	1	674301	81112
62	1	674301	81112
63	1	674301	81112
64	1	674301	81112
65	1	674301	81112
66	1	674301	81112
67	1	674301	81112
68	1	674301	81112
69	1	674301	81112
70	1	674301	81112
71	1	674301	81112
72	1	674301	81112
73	1	674301	81112
74	1	674301	81112
75	1	674301	81112
76	1	674301	81112
77	1	674301	81112
78	1	674301	81112
79	1	674301	81112
80	1	674301	81112
81	1	674301	81112
82	1	674301	81112
83	1	674301	81112
84	1	674301	81112
85	1	674301	81112



230V. 1Ø. 60HZ.

DISC  
R.O. AMP.

1L1 1L2

6F/FH (A)

5A (C)

3F/FH (A)

10A (C)

4F/FH (A)

10A (C)

6F/FH (B)

5A (C)

1F/FB (A)

30 AMP.

AM 30 AMP.

BLOWER #1  
OFF ON

BLOWER #2  
OFF ON

COMPRESSOR  
OFF ON

SEE NOTES  
OL

16/5 SO

BLOWER #1  
7 AMP.

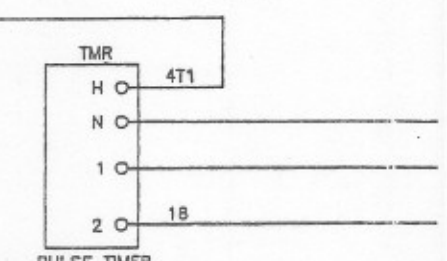
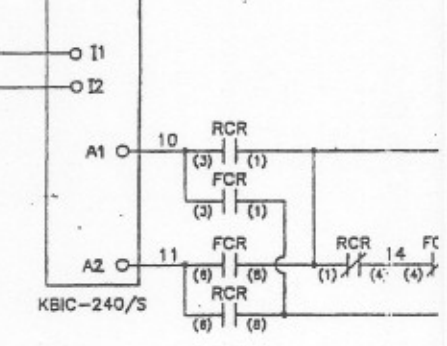
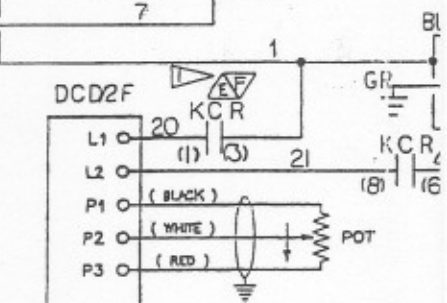
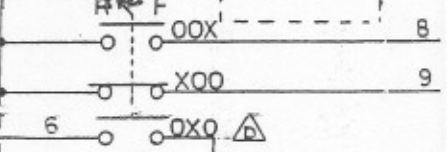
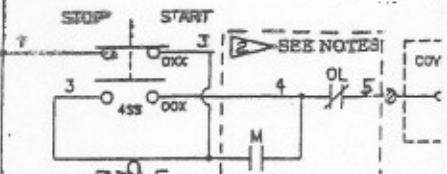
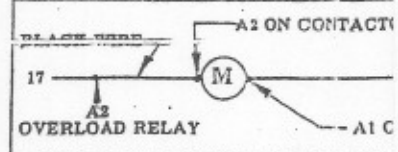
16/3 SO

COMPRESSOR  
25 HP.  
3 AMP.

10/3 SO

WHEEL  
5 HP.  
23 AMP.

DETAIL - A  
NOTE LOCATION OF BLACK



NOTE 1 - NEW RELAY - SER. NO. 141079 AND HIGHER / NEW WIRE AND CONTACT NUMBERS - 10/95. (A)

NOTES

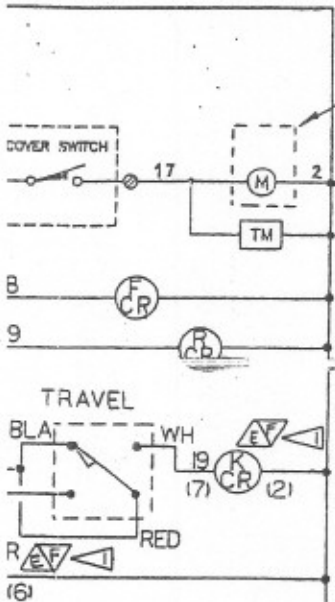
M - 679939 - ALL M'S ON SAME BLOCK  
OL - 677179 - ALL OL'S ON SAME BLOCK

DK WIRE

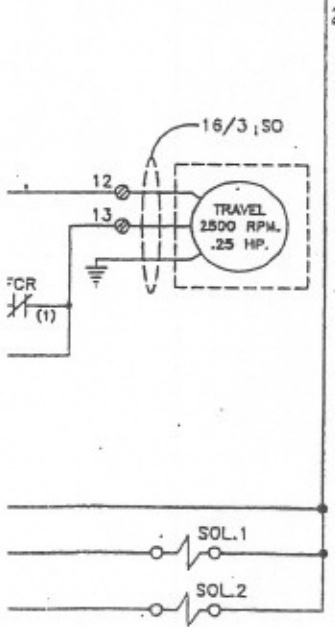
CTOR

2

1 CONTACTOR



DETAIL - A



BILL OF MATERIAL

SYM.	QTY.	DESCRIP.	BLASTRAC PART #
ENC	1	ENCLOSURE	
PAN	1	PANEL	676184
DISC	1	DISCONNECT	679937
HS	1	HANDLE & SHAFT	679938
TM	1	HOUR METER	679954
AM	1	AMP METER	403460
TMR	1	PULSE TIMER	679948
SOL	2	SOLENOID	679947
DCD	1	DC DRIVE	679950
KD	1	KNOB & DIAL	687123
TB	1	TERMINAL BOARD	679952
POT	1	POTENTIOMETER	687122
3-4 F	4	FUSES - 10 AMPS	688817
FH	8	FUSEHOLDER	688816
5-8 F	4	FUSES - 5 AMPS	688818
F/R/CR	3	RELAY	679953
SOC	2	SOCKET	
1-3 SS	3	SWITCH	679945
4 SS	1	SWITCH	679940
5 SS	1	SWITCH	679941
M	1	CONTACTOR	679939
OL	1	OVERLOAD	677179
TERM	19	TERMINAL	679942
1 FB	1	FUSE BLOCK	679943
1 F	2	FUSE - 30 AMPS	679944
2F	2	FUSE - 3 AMPS	497599
GL	2	GROUND LUG	

ELECTRICAL COMPONENTS NOT PART OF B/M 676174

DESCRIPTION	PART NUMBER
BLOWER #1	678500
BLOWER #2	678590
COMPRESSOR	674899
WHEEL MOTOR	678898
TRAVEL SWITCH	486110
COVER SWITCH	679605

674899

REV	DATE	BY
A	9/25/93	ITAV
B	9/25/93	ITAV
C	9/25/92	ITAV
D	13/15/94	ITAV
E	3/15/94	ITAV
F	10/30/95	ITAV

ADDED KCS (RELAY) WIRING CHANGE  
 WAS 688230  
 ADDED NOTE 1  
 P/N 674953 : QTY. WAS 2

DIMENSIONAL TOLERANCES - UNLESS OTHERWISE NOTED - INSPECTION SPECIFICATION - WIG 9007				DATE	REV	APP
FABRICATIVE	MACHING	WELDING AND ASSEMBLY	RELATIONAL	DATE	REV	APP
(BREAMING, BURNING, FINISHING) TWO PLACE DECIMALS ±0.08 (AND FRACTIONS)	TWO PLACE DECIMALS ±0.010 (WHERE SHOWN BY √)	TWO PLACE DECIMALS ±0.08 (AND FRACTIONS)	FLATNESS IN OVERALL LENGTH THROUGH HOLE ±0.08	DATE	REV	APP
ANGULAR (POSITIONAL) ±0°30'	THREE PLACE DECIMALS ±0.005	ANGULAR (POSITIONAL) ±0°30'	SURF FINISH (RMS) 3 TO 12 (UNLESS OTHERWISE SPECIFIED)			
ANGULAR (CHAMFER) ±1°30' WELD DRILLS	ANGULAR ±0°30'	ALL WELDMENTS ±0.12	TOL. 1st = 0.005 ± 0.01 ± 0.02 ± 0.03			

Wheelabrator Corporation  
 Shenandoah, Georgia U.S.A.  
 LaGrange, Georgia U.S.A.

**ELECTRICAL PANEL**  
**1-9 DES BLASTRAC**

SCALE: NONE  
 DATE: 7/2/92

**880340**